

301.4C

Mini Hydraulic Excavator



Engine

Gross Power	17.9 kW	24.3 hp
-------------	---------	---------

Weight

Transport Weight with Canopy	1380 kg	3,042 lb
Transport Weight with Cab	1470 kg	3,241 lb



Versatility

Easy to transport and greater site access



Easy Transportation

Compact in size and weighing just 1380 kg (3,042 lb) in standard configuration with canopy the Cat® 301.4C is easy to transport on a conventional trailer behind a pick up truck or transit van.

Two threaded bosses mounted in the roof allow fitting of crane lugs and simplify lifting of the machine.

Extending Undercarriage and Blade

An extending undercarriage and fold out dozer blade allow the machine to be configured for excellent working stability and optimum performance.

Blade extensions simply rotate and lock out of the way using retained pins eliminating the potential for lost parts.



Performance and Durability

Powerful operation and greater uptime

Powerful Engine and Load Sensing Hydraulics

The 17.9 kW (24.3 hp) engine is matched with a load sensing hydraulic system to provide excellent digging performance and smooth control.

Low noise and vibration levels deliver comfortable operation.

High Bucket Breakout Force

The 301.4C delivers 16 kN (3,597 lbf) of bucket force, ideal for dealing with heavy ground and tough applications.

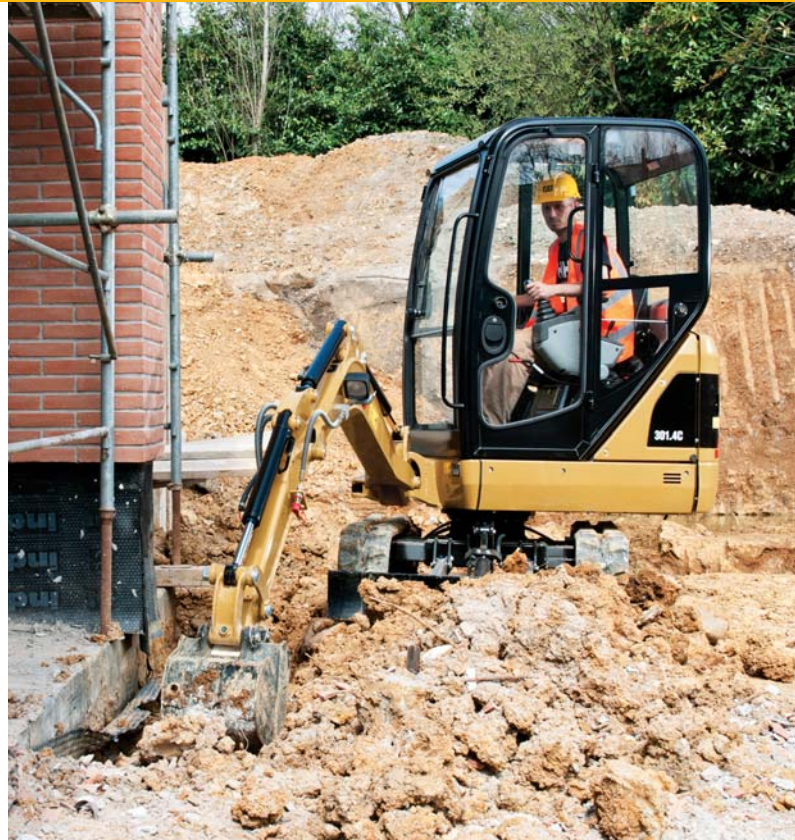
Auxiliary Hydraulics as Standard Fit

Machine is 'ready to work.' Hammer and two way lines complete with quick disconnect fittings are standard. Connections are located close to the tool to reduce hose lengths and any potential damage.

Hoses are protected by routing them through the boom.

Boom Cylinder Protection

The boom cylinder is mounted above the boom structure to increase the machines durability and reduce the potential for downtime.





Productive Comfort

Large operator environment; ergonomic control layout

Operator Environment

The Cat 301.4C gives the operator a large comfortable space in which to work. The ergonomic control layout, travel pedals and adjustable wrist rests are engineered to reduce operator fatigue and increase productivity.

The layout is designed for easy cleaning, minimizing downtime between jobs.

There is a choice of cab with heater or canopy available. The canopy offering two sided access for even greater on site versatility.

Customer Support

Low operating costs with excellent services and options

Excellent Service Access

Daily checks and regular service points including fuel and hydraulic oil fill are easily reached via the large steel rear door. The main hydraulic valve and lines are also easily reached through a removable floor plate and side panels.

The machine has durable steel body panels all around, offering good resistance to impact damage and helping to maintain the machine's appearance and value.

Work Tools

A range of work tools is available to take advantage of the machine's versatility. All tools are matched to the machine to optimize performance and deliver excellent value through productivity and long life.

Customer Support

Product supported through the Cat dealer and Worldwide parts network, aimed at minimizing downtime and maximizing customer profitability.

Offering includes:

- Finance options
- Warranty options
- Maintenance options



Specifications

Engine	
Engine Model	Yanmar 3TNV76
Rated Net Power (ISO 9249)	13.2 kW 17.7 hp
Gross Power	17.9 kW 24.3 hp
Displacement	1116 cm ³ 68.1 in ³

Weight	
Transport Weight with Cab	1470 kg 3,241 lb
Transport Weight with Canopy	1380 kg 3,042 lb
Transport Weight with Cab and Telescopic Undercarriage	1558 kg 3,435 lb
Transport Weight with Canopy and Telescopic Undercarriage	1468 kg 3,236 lb

Note: Weights do not include worktools.

Travel System	
Travel Speed	2.5 km/h 1.55 mph
Gradeability	30°/58%
Track Width	230 mm 9.06 in

Service Refill Capacities	
Fuel Tank Capacity	24 L 6.3 gal
Hydraulic Tank Capacity	20 L 5.3 gal

Hydraulic System	
Pump Flow at 2,200 rpm	35 L/min 9.2 gal/min
Operating Pressure – Equipment	200 bar 2,901 psi
Operating Pressure – Travel	200 bar 2,901 psi
Operating Pressure – Swing	150 bar 2,176 psi
Max. Bucket Force	16 kN 3,597 lbf
Max. Stick Force	7.1 kN 1,596 lbf

Blade	
Width	980 mm 38.6 in
Height	232 mm 9.1 in
Dig Depth	264 mm 10.4 in
Lift Height	211 mm 8.3 in

Lift Capacity at Ground Level

Lift Point Radius		2000 mm (78.7 in)				3000 mm (118.1 in)				Maximum			
		Front		Side		Front		Side		Front		Side	
		kg	lb	kg	lb	kg	lb	kg	lb	kg	lb	kg	lb
Undercarriage Width	990 mm (39 in)	715*	1,576*	335	739	385*	849*	200	441	350*	772*	190	419
	1300 mm (51.2 in)	715*	1,576*	495	1,091	385*	849*	300	661	350*	772*	275	606

* The above loads are in compliance with hydraulic excavator lift capacity rating standard ISO 10567:2007 and they do not exceed 87% of hydraulic lifting capacity or 75% of tipping capacity. The excavator bucket weight is not included on this chart.

Standard Equipment

Standard equipment may vary. Consult your Cat dealer for details.

230 mm (9.06 in) rubber track
1-way and 2-way (combined function)
auxiliary hydraulic lines
Dozer blade

Canopy with FOPS ISO 10262 (Level 1),
Tip-Over Protection (TOPS) ISO 12117
Retractable seat belt
Suspension seat, vinyl covered
Travel pedals

Maintenance free battery
Hydraulic oil cooler
Boom mounted light
Control pattern changer
(not available in Europe)

Optional Equipment

Optional equipment may vary. Consult your Cat dealer for details.

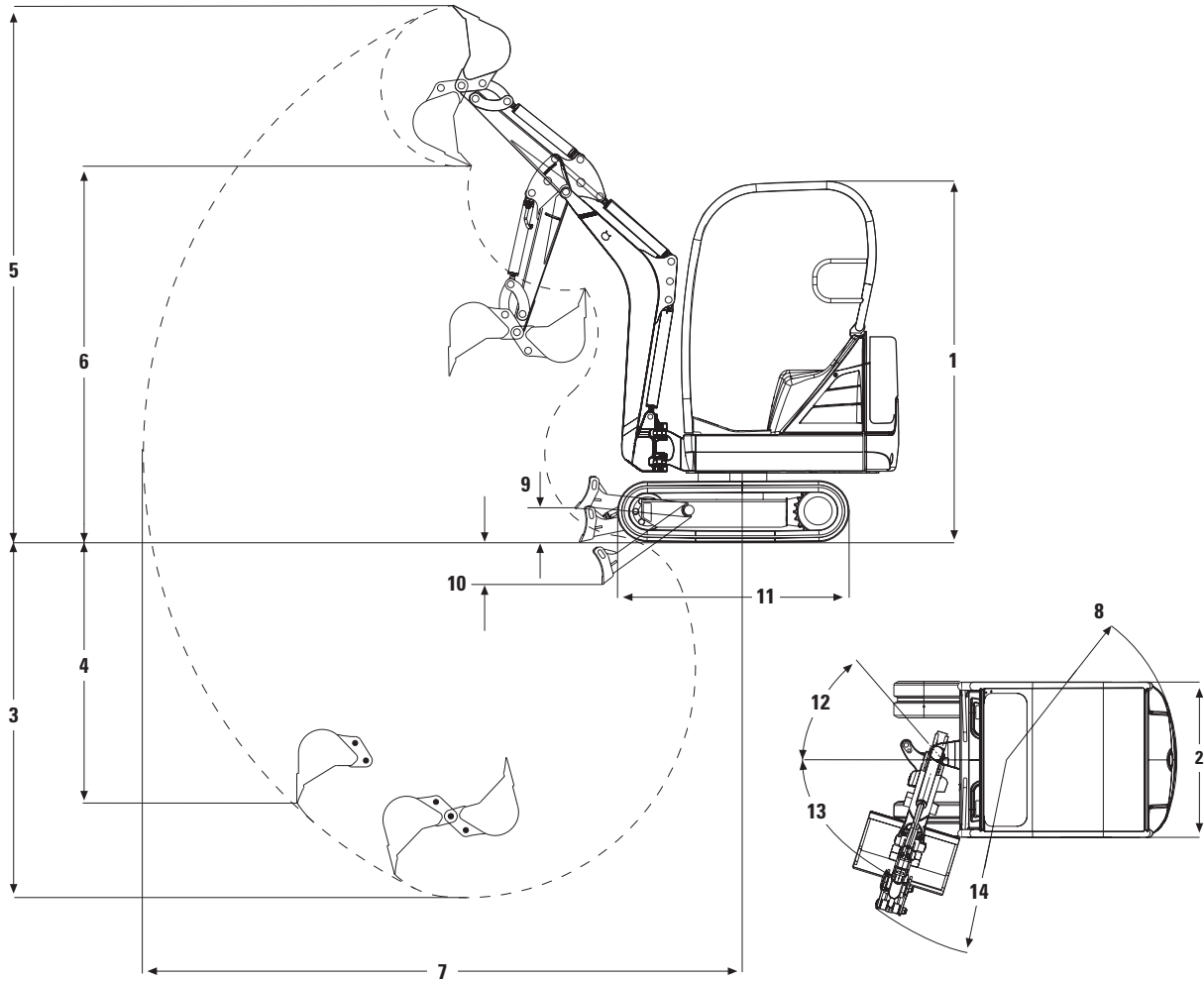
Cab, radio ready with FOPS ISO 10262
(Level 1), Tip-Over Protection (TOPS)
ISO 12117, heater/defroster, interior light
and windscreen wiper/washer
Suspension seat, fabric covered
Boom check valve
Mirror pack

Mechanical quick coupler
Front screen guard for canopy
Bio oil
Ecology drain for engine oil
Rotating beacon
Telescopic undercarriage and blade
extensions (900-1300 mm [35.4-51.2 in])
(standard in North America)

Custom color paint
Hydraulic quick coupler lines
Roof mounted cab worklights
Radio ready preparation
Toolkit
Travel alarm

Dimensions

All dimensions are approximate



1 Height	2276 mm	7 ft 6 in
2 Width	990 mm	3 ft 3 in
Transport Length (boom down)	3645 mm	12 ft 0 in
3 Maximum Digging Depth	2240 mm	7 ft 4 in
4 Maximum Vertical Digging Depth	1640 mm	5 ft 5 in
5 Maximum Digging Height	3390 mm	11 ft 1 in
6 Maximum Dumping Height	2370 mm	7 ft 9 in
7 Maximum Digging Radius	3700 mm	12 ft 2 in
Maximum Reach on the Ground	3650 mm	12 ft 0 in
8 Tail Swing Radius	1075 mm	3 ft 6 in
9 Maximum Lift of Dozer Blade Above Ground	211 mm	8.3 in
10 Maximum Digging Depth of Dozer Blade Below Ground	264 mm	10.4 in
11 Track Length	1460 mm	4 ft 9 in
12 Maximum Swing Angle of Boom System to the Right		49°
13 Maximum Swing Angle of Boom System to the Left		73°
14 Minimum Boom Swing Radius	1490 mm	4 ft 11 in

301.4C Mini Hydraulic Excavator

For more complete information on Cat products, dealer services, and industry solutions, visit us on the web at www.cat.com

© 2011 Caterpillar Inc.
All rights reserved

Materials and specifications are subject to change without notice. Featured machines in photos may include additional equipment. See your Cat dealer for available options.

CAT, CATERPILLAR, SAFETY.CAT.COM, their respective logos, "Caterpillar Yellow" and the "Power Edge" trade dress, as well as corporate and product identity used herein, are trademarks of Caterpillar and may not be used without permission.

AEHQ6308-01 (07-2011)
Replaces AEHQ6308

